



Spinner

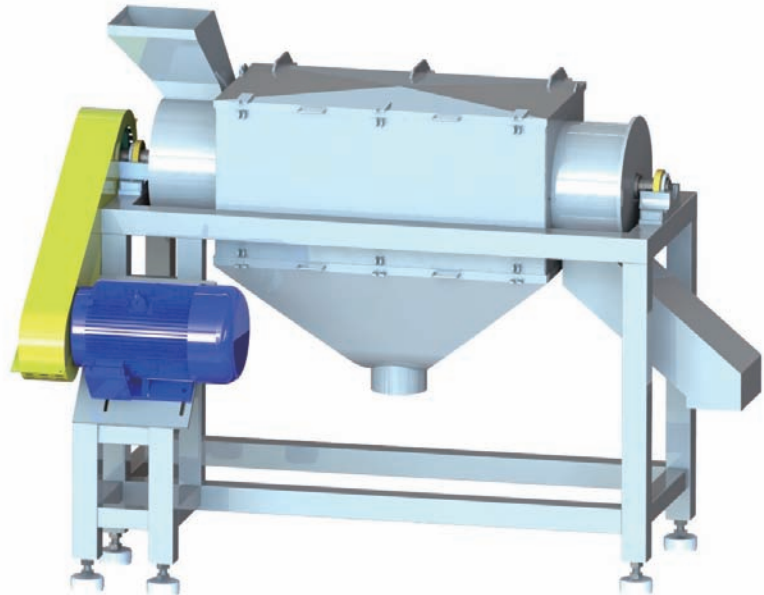
Centrifugal dewatering

The spinner is designed to clean and dewater plastic flake, remove contaminants from the flake by means of centrifugal force .

The spinner consists of a rotor shaft with paddles mounted in a housing. A screen is mounted around the rotor shaft. A hinged lid is mounted on the top .The unit is supported on a strong frame.

High-speed rotating paddles strike wet material, the wet material hit screen with great kinetic energy, then materials are bounced back by the screen, while water and contaminants pass screen and fall into basin.

The spinner outlet has two types: up outlet and down outlet. The spinner with up outlet can transported dewatered flakes by itself.



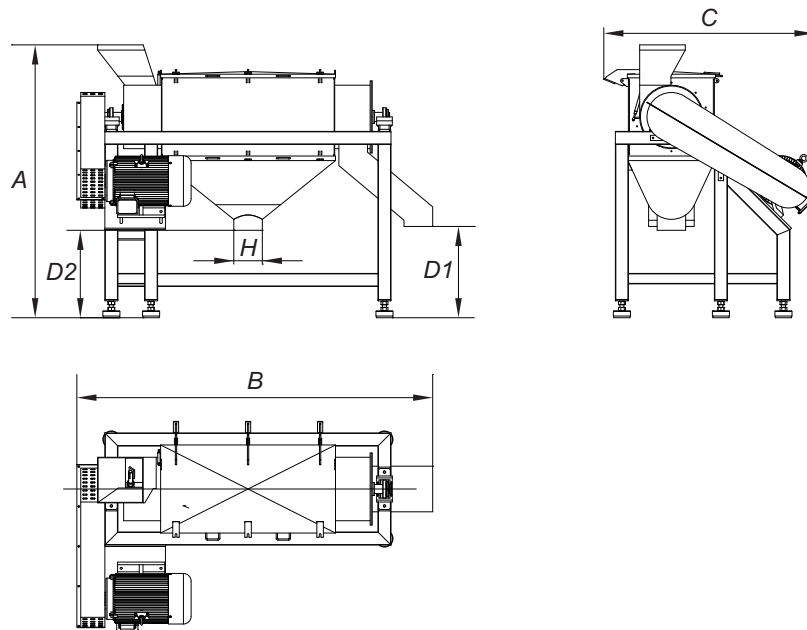
Features:

- Tough stainless steel (SUS304) construction
- SKF bearing with long service time
- Labyrinth sealing prevents plastic powder or water enter into bearing
- Foot shocks for shock absorption
- Security pins and security bolts protect the human bodies and equipments efficiently .
- Wear resistant material paddles with more than 7500T service time .
- Quick fixing screen design saves maintenance time .





HOSOKAWA POLYMER SYSTEMS



Model	SP220	SP370	SP450	SP550
Standard capacity	1.5T/H	2.5T/H	3T/H	4.5T/H
Rotating speed	1800-2500 rpm (adjustable)			
Applicable capacity range	1000-2000kg/H	2000-3000kg/H	3000-4000kg/H	4000-5000kg/H

Notice: each spinner model has two type outlets: up outlet and down outlet. Depends on different applications

Model	SP220	SP370	SP450	SP550
L*W*H(A*B*C)(mm*mm*mm)	2731*2094*1579	2731*2094*1579	2896*2099*1684	2896*2099*1684
Motor Power (KW)	22KW	37KW	45KW	55KW
Motor Speed (rpm)	1450			
Screen dia.(mm)	2			
Screen thickness (mm)	2			
water outlet height (D2)(mm)	671	671	606	606
discharging height (D1)(mm)	700	700	735	735

Plastic Recycling Solutions



HOSOKAWA POLYMER SYSTEMS

63 Fuller Way, Berlin, CT 06037 · Tel. (860) 828-0541 · WWW.polysys.com